



TYGER FURY™

TG-BP9D80398

BEFORE INSTALLATION

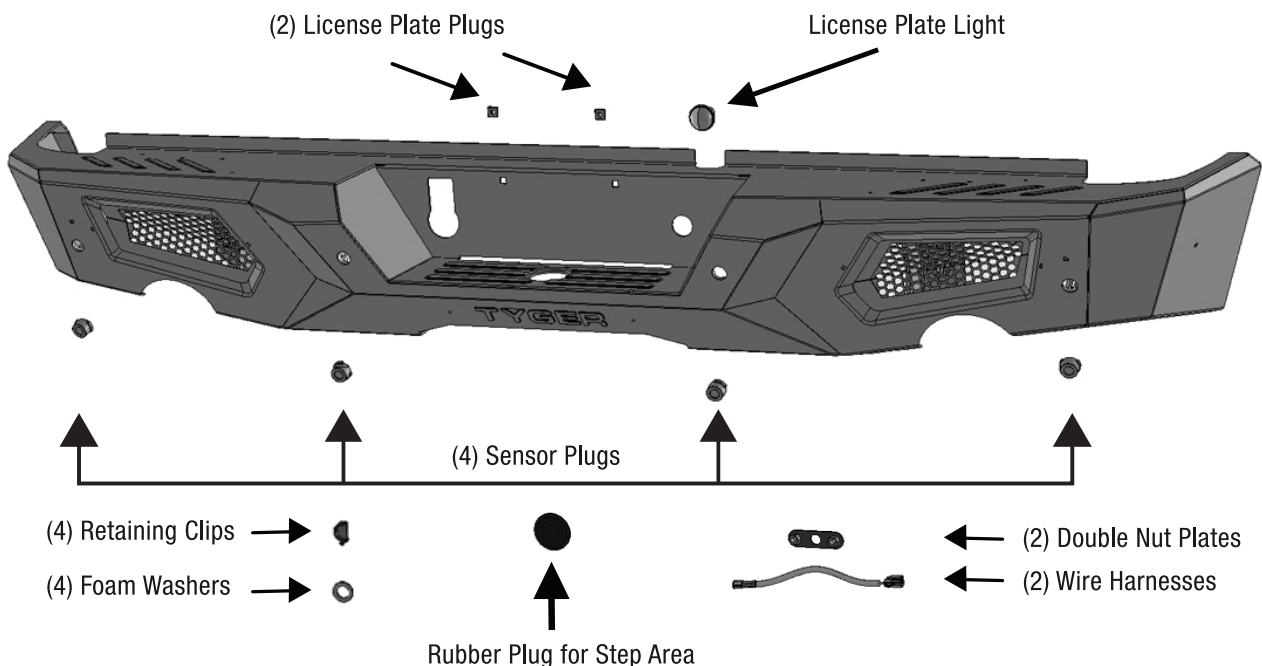
READ INSTRUCTIONS CAREFULLY BEFORE STARTING INSTALLATION. REMOVE CONTENTS FROM BOX AND VERIFY ALL PARTS ARE PRESENT. FAILURE TO IDENTIFY DAMAGE BEFORE INSTALLATION COULD LEAD TO A REJECTION OF ANY CLAIM. IF MISSING PARTS OR ANY DAMAGE FOUND, PLEASE TAKE A PICTURE FOR THE CLAIM PURPOSE. TO FILE YOUR CLAIM, PLEASE VISIT: WWW.TYGERAUTO.COM/CONTACT

TORQUE VALUES

Fastener Size	Class 8.8 Torque (ft-lbs)	Class 10.9 Torque (ft-lbs)
6mm	6-7	6-7
8mm	15-16	22-23
10mm	31-32	44-45
12mm	54-55	78-79
14mm	87-88	125-126

Parts List

- x1 TYGER Rear Bumper
- x1 Push-in License Plate Light
- x2 Plastic Plugs for License Plate Mount
- x1 Hole Plug for Step Area
- x4 Sensor Hole Plugs
- x4 Sensor Retaining Rings
- x4 20mm X 2mm Foam Washers
- x2 Dodge Wiring Harnesses
- x1 Sensor Cover Kit
- x2 12mm Double Nut Plates
- x4 12-1.75mm X 40mm Hex Bolts
- x4 12mm X 37mm X 3mm Flat Washers
- x4 12mm Lock Washers
- x8 4mm X 10mm Button Head Bolts
- x1 2.5mm Wrench
- x10 Nylon Cable Ties 200mm



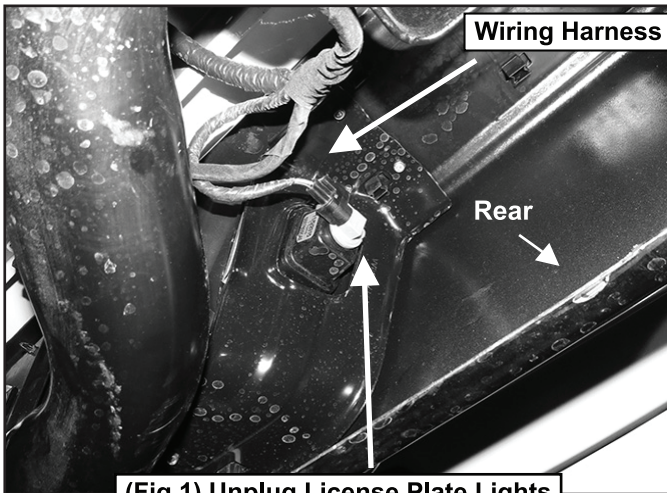


PROCEDURE:

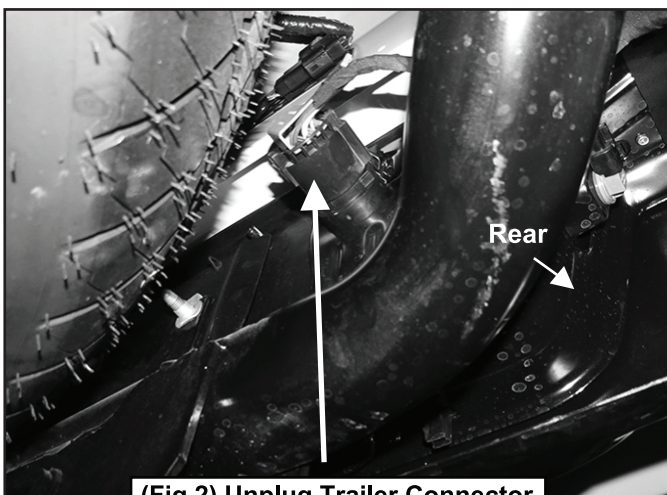
READ INSTRUCTIONS CAREFULLY BEFORE STARTING INSTALLATION. ASSISTANCE IS HIGHLY RECOMMENDED TO AVOID POSSIBLE INJURY OR DAMAGE TO THE VEHICLE. ALLOW EXHAUST TO COMPLETELY COOL BEFORE STARTING INSTALLATION.

STEP 1

Start installation by unplugging all wiring harnesses leading to the bumper, (Figures 1 & 2). Move the wiring harnesses away from the bumper.



(Fig 1) Unplug License Plate Lights



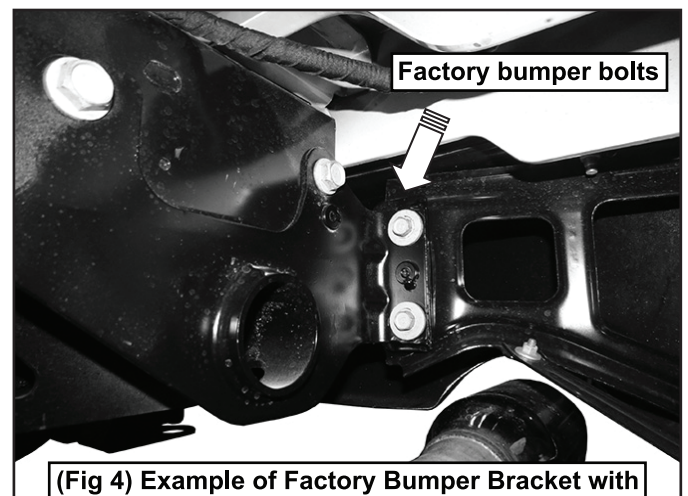
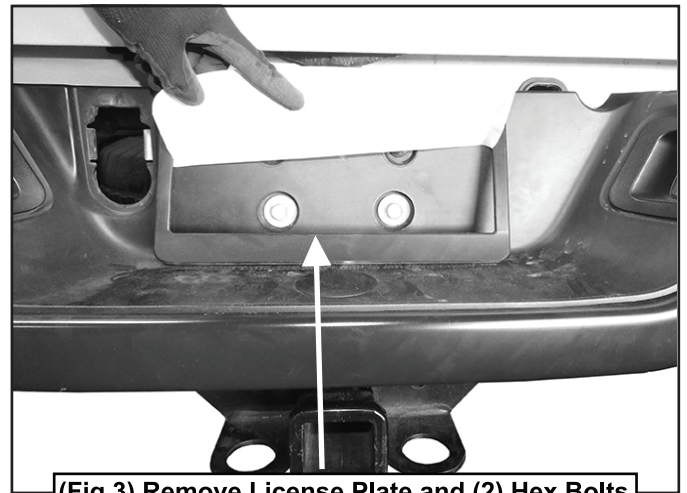
(Fig 2) Unplug Trailer Connector

STEP 2

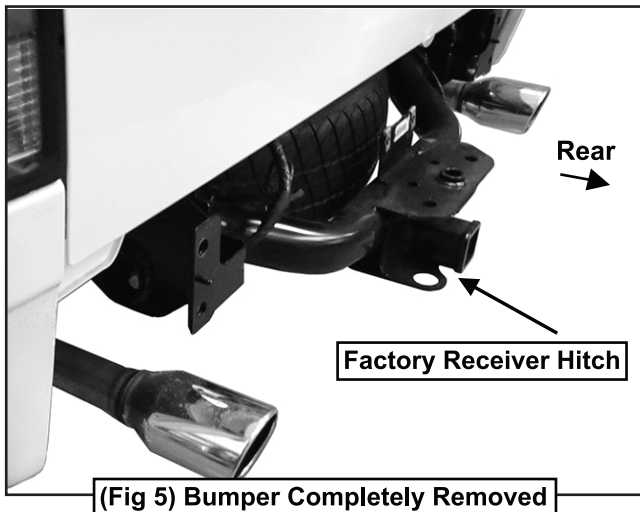
Remove the license plate. Place blocks or jack stands under the bumper to support it during bumper bolt removal. Once the bumper has been safely supported, remove the (2) hex bolts behind the license plate, (Figure 3). Next, remove the (4) factory bumper bolts, (2 per side), and slide the rear bumper off of the end of the frame, (Figures 4 & 5).

IMPORTANT: Assistance is required to hold the bumper in place during hardware removal and to prevent the bumper from falling. Move the bumper to a clean stable work surface.

WARNING! Do not remove bumper bolts unless the bumper is properly supported on blocks or stands or the bumper may fall.



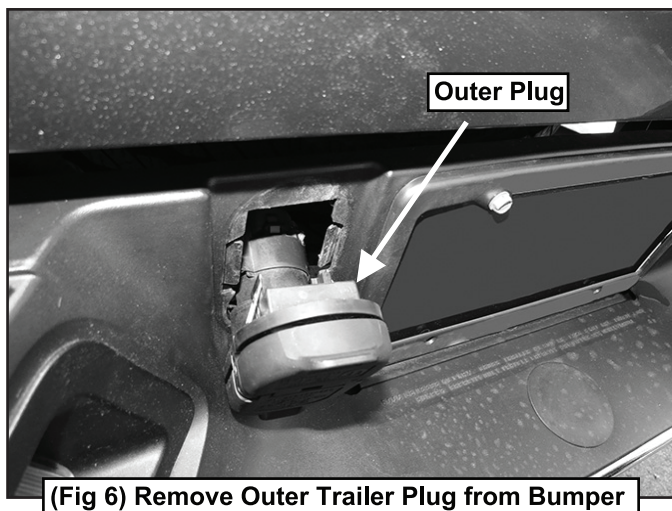
(Fig 4) Example of Factory Bumper Bracket with (2) Hex Bolts pictured from Behind Bumper



WARNING! Do not crawl under bumper unless the bumper is properly supported on blocks or stands or the bumper may fall.

STEP 3

Remove the wiring harness and outer tow harness plug from the factory bumper, (Figure 6).

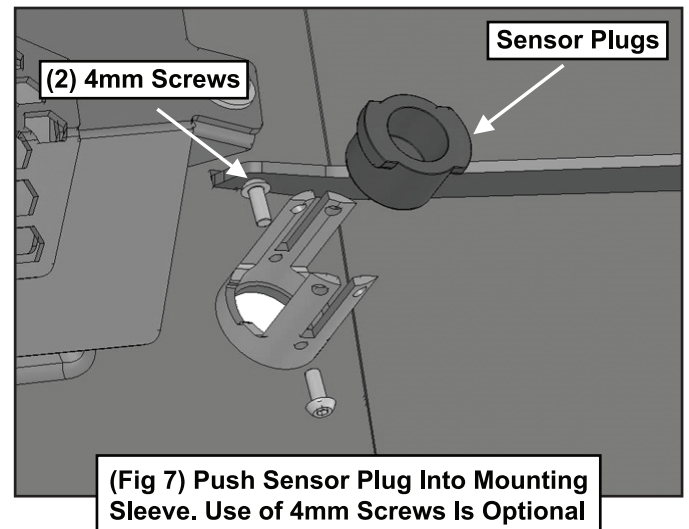


STEP 4

Determine if the vehicle is equipped with sensors.

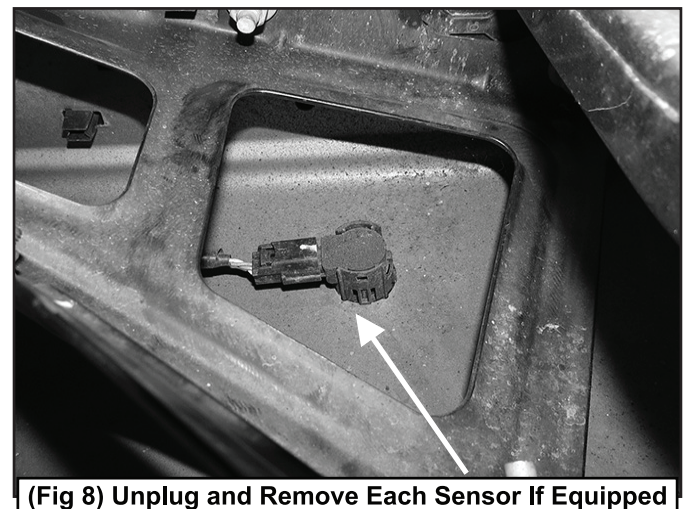
Models without bumper sensors:

- Select the included (4) Rubber Plugs.
- From behind bumper, push plugs into sensor mounting holes, (Figure 7). Screws have been provided to lock the plugs in the sleeve. Use is optional.



Models with bumper mounted sensors:

- Remove the sensors from the factory bumper, (Figure 8).



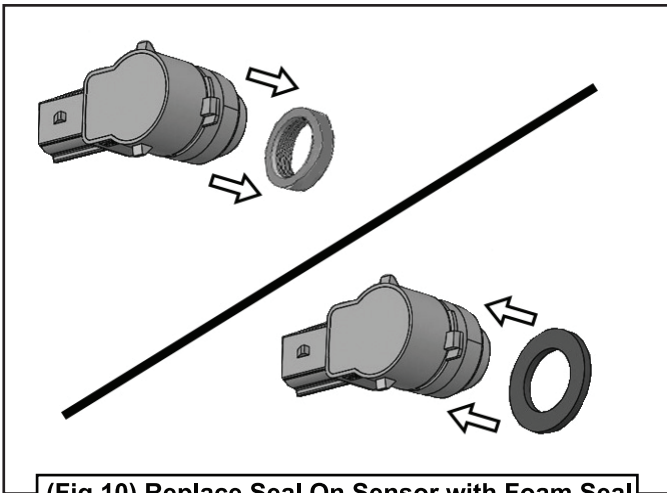


b. Remove the outer plastic sleeve from the sensor, (Figure 9)



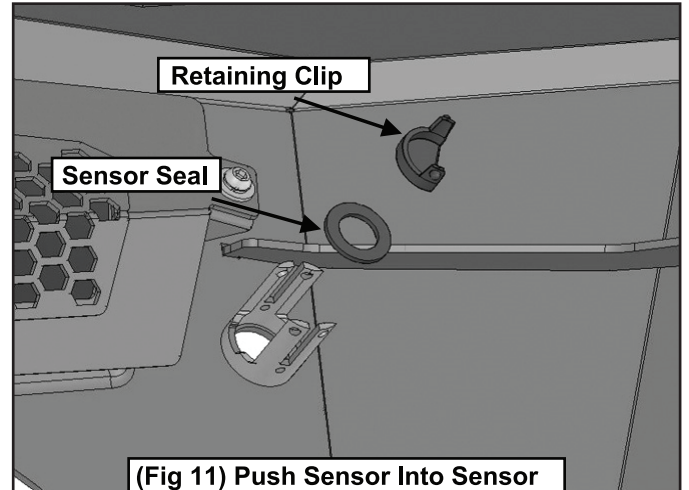
(Fig 9) Remove the Sleeve (Right) From Each Sensor

c. Next, remove the silicone seal from the end of the sensor. Slide the included larger Foam Sensor Seal over front of sensor, (Figure 10).



(Fig 10) Replace Seal On Sensor with Foam Seal

d. Insert sensor with Seal into sensor mount, (Figure 11). Push Sensor Retaining Clip into sensor mount and lock into mounting holes, (Figure 11).



(Fig 11) Push Sensor Into Sensor Sleeve On the Back of The Bumper

e. Repeat previous Steps to install remaining sensors.

f. Attach factory wiring harness to sensors.

NOTE: Use the included (2) Wiring Harness Extensions as necessary to extend the factory harness to reach the sensors through openings in the Bumper.

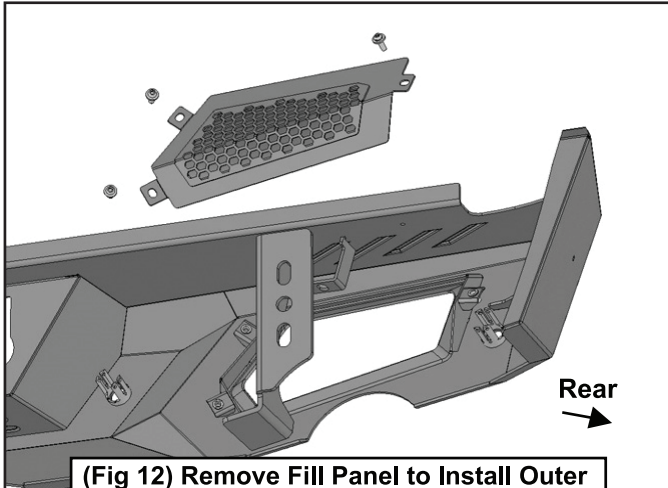
g. Optional: Secure each sensor to the socket with (2) 4mm x 10mm Button Head Screws, (Figure 7).

IMPORTANT: Sensors fit snug in sockets. The 4mm Screws are used to apply slight pressure to lock the sensors in place. Tighten both screws evenly until they touch the sensor body only. Do not overtighten screws or damage to sensors will result



LED cube style light installation (light not included).

- Remove outer covers from back of Bumper, (Figure 12).
- Attach lights to mounting tabs on back of each end of the Bumper, (Figure 12).



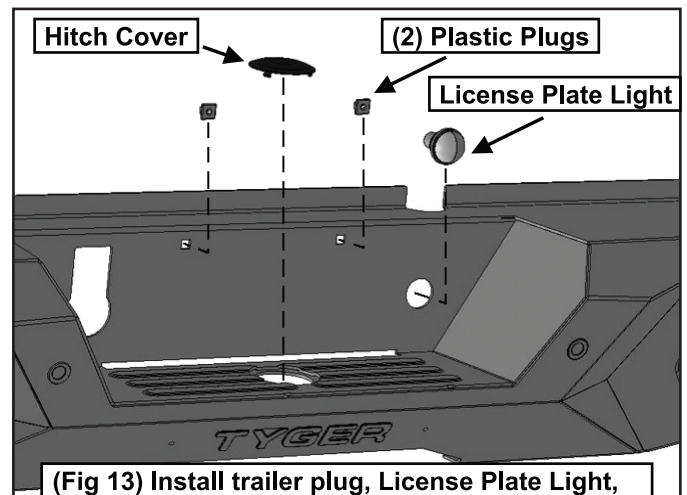
WARNING! Do not crawl under bumper unless the bumper is properly supported on blocks or stands or the bumper may fall.

STEP 5

Snap the towing harness plug into the opening in the LD2 Bumper, (Figure 13). If necessary, use a flat blade screwdriver to carefully pry the lock tab on the clip outward to help lock plug in place.

STEP 6

Insert the (2) push-in plugs to attach the license plate to the Bumper, (Figure 13). Insert the License Plate Light into the mounting hole. Use the included Wire Ties to attach the factory wiring harness to the Bumper and away from exhaust.



STEP 7

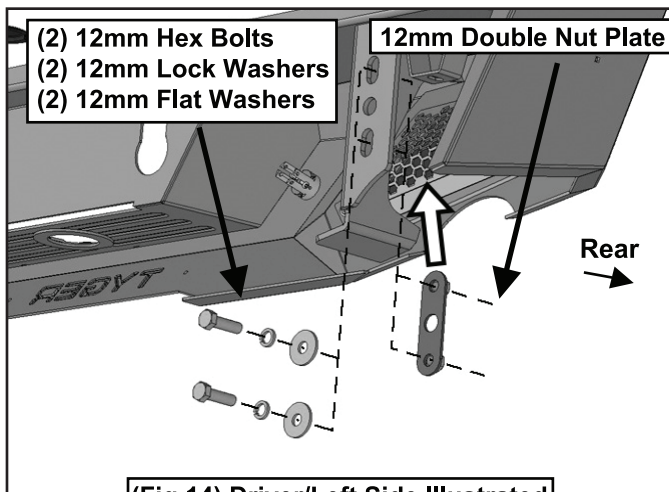
With assistance, position the Bumper up to the bumper brackets on the ends of the frame. Temporarily support the weight of the Bumper Assembly.

WARNING: To avoid possible injury or damage to the vehicle, do not proceed until the Bumper is fully and safely supported.

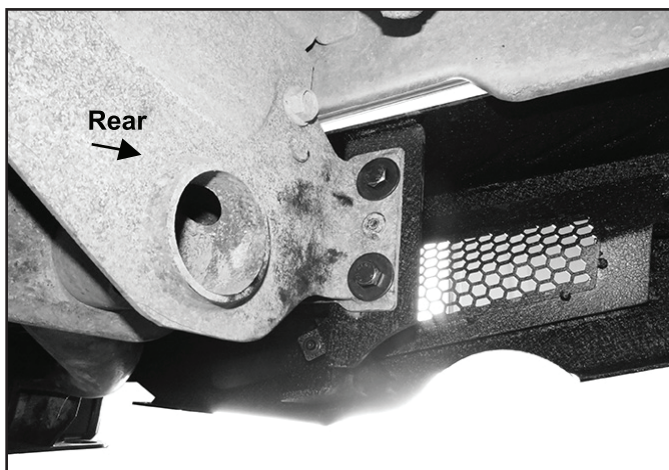


STEP 8

Line up the (2) mounting holes in the back of the driver/left side of the Bumper with the brackets on the end of the frame. Slide (1) 12mm Double Nut Plate behind the mounting plate on the Bumper, (Figure 14). Attach the Bumper to the frame and Nut Plate with (2) 12mm Hex Bolts, (2) 12mm Lock Washers and (2) 12mm Flat Washers, (Figures 14 & 15). Repeat to attach the passenger/right side of the Bumper to the frame. Leave hardware loose at this time.



(Fig 14) Driver/Left Side Illustrated



(Fig 15) Driver/Left Side Pictured From Behind Bumper

STEP 9

Level and adjust the Bumper. Slowly open the tail gate and check for clearance. Once adjusted, fully tighten all hardware.

STEP 10

Connect the license plate light to the harness. Reattach the Bumper wiring harness to the main harness. Seal off any open wire connections.

STEP 11

Do periodic inspections to the installation to make sure that all hardware is secure and tight.

